



\$5,990 ■

CADIZ

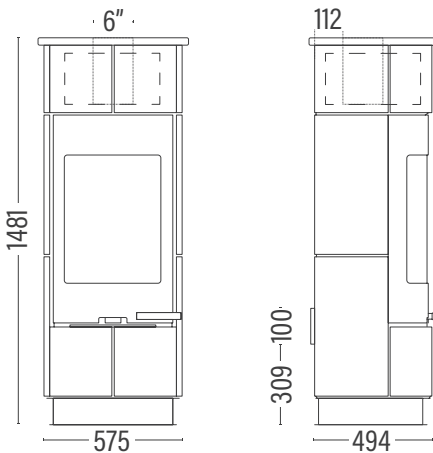
serpentino

Cadiz Serpentino combines an ultra-low wood consumption with an efficient clean burn. The Soapstone has excellent heatbank quality and is the most efficient natural stone to absorb and hold heat for a long amount of time. Natural convection will move warmth efficiently throughout your house, whilst radiant heat of the stone gives you extra warmth for many hours even when the fire has gone out, making the need to burn overnight in many cases unnecessary.

National Certificate of Compliance No; H800/1214

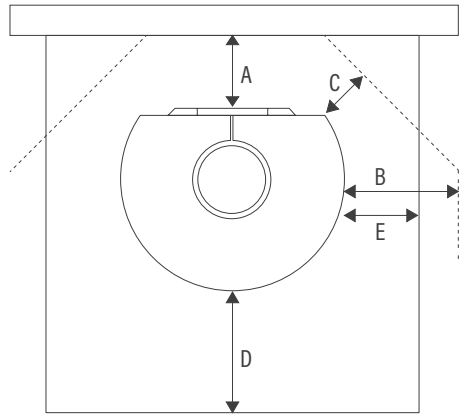
Heating capacity	240sqm
Efficiency	Aus 67% / Eu 82%
Emissions	0.8g
Wood usage	1.8kg/hr
Weight	242 kg
H/W/D	1481/575/494
Heat bank	Optional 20kg
Soapstone heat bank	Fitted 130kg
Ember retention with HB	8 hr+

Optional Heatbank



Clearances

A	B	C	D	E
250	550	170	300	200



10cm
Air in



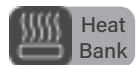
33cm
Log



1.8 kg
p/hr



Ash
Pan



Heat
Bank

euo fireplaces

euofireplaces.com.au
1300 733 705 info@euofireplaces.com.au

BRUNNER

THORMA

HAAS + SOHN