



\$3,590  

FALUN

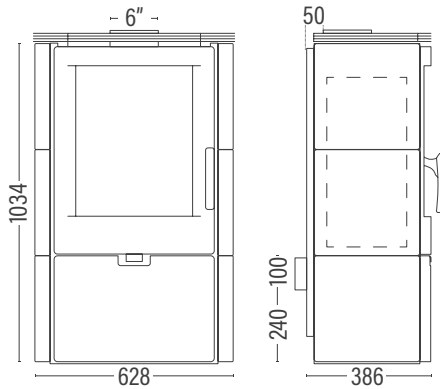
ceramic

Finished with heat absorbing tiles, the Falun Ceramic with the option of extra heat bank is one of Euro Fireplaces most popular heat bank heaters. With a single sliding lever controlling both primary and secondary air intakes, the heater is designed to provide instant heat with powerful natural convection. Prolonged burning is achieved with slightly larger well-seasoned logs, giving the heater just enough airflow to burn long, clean and efficiently.

National Certificate of Compliance No; H1001/0916

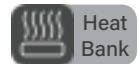
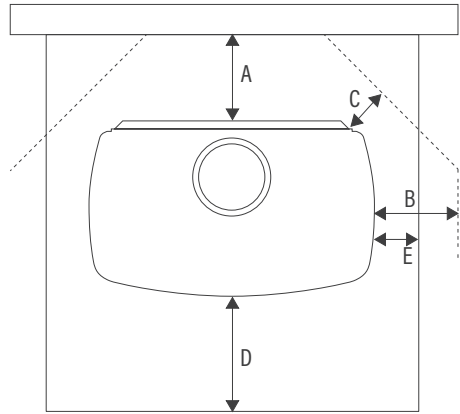
Heating capacity	240sqm
Efficiency	Aus 73% / Eu 82%
Emissions	1.3g
Wood usage	1.8kg/hr
Weight	136 kg
H/W/D	1034/628/386
Heat bank	optional 10kg
Ember retention with HB	7 hr+
Ember retention without HB	6 hr+

Optional Heatbank



Clearances

A	B	C	D	E
250	300	250	300	200



euro fireplaces

eurofireplaces.com.au
1300 733 705 info@eurofireplaces.com.au

BRUNNER

THORMA

HAAS + SOHN