



\$1,590 ■ ■ ■
MILANO

Milano is one of Europe's most popular heaters. Milano will produce instant heat after lighting and will convect warm air throughout smaller 2 or 3 bedroom homes. Simple air controls make operation very straight forward and the unit comes fitted with a cooktop and splash back lid that can be closed to retain embers when the heater is shut down.

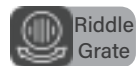
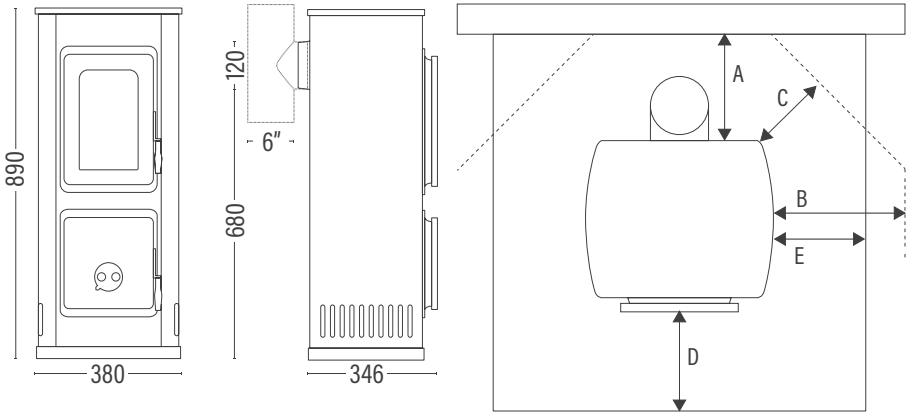
National Certificate of Compliance No; H802/1214

| | |
|------------------|------------------|
| Heating capacity | 140sqm |
| Efficiency | Aus 64% / Eu 79% |
| Emissions | 1.4g |
| Wood usage | 1.3kg/hr |
| Weight | 70 kg |
| H/W/D | 890/380/346 |
| Ember retention | 5 hr+ |
| Warranty | 5 Years |

Clearances

| A | B | C | D | E |
|------|-----|-----|-----|-----|
| 425* | 540 | 475 | 300 | 200 |

* including 200mm flue junction



euro fireplaces

eurofireplaces.com.au
1300 733 705 info@eurofireplaces.com.au

BRUNNER

THORMA

HAAS + SOHN