



\$3,190 ■
BULLER
insert

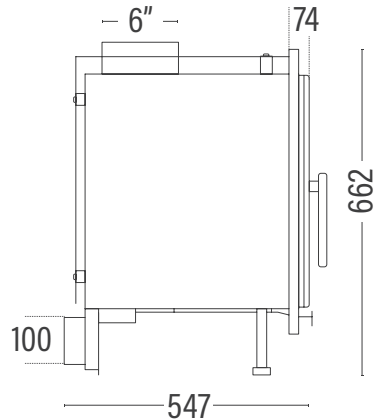
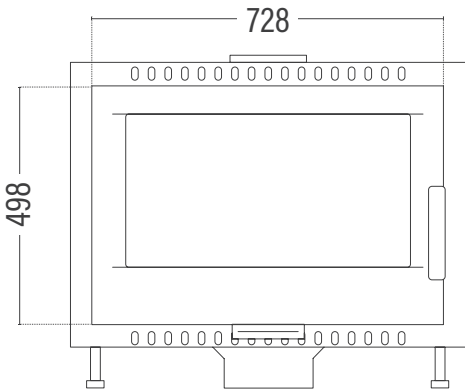
Powerful yet very efficient Buller can be built into a ready made modular hot box available from Euro Fireplaces. The easy assembly can be done by your builder or installer, at 1340 mm height and 1080 mm wide the hot box can be extended to the ceiling and finished with paint, render, stone or tiles. A brick installation is also possible. Buller insert can also be installed into existing Brick Fireplaces. The Buller has a large landscape viewing window and its heavy steel construction enables excellent heat retention even without the aid of heatbank.

National Certificate of Compliance No; H1032/0317

Heating capacity	280sqm
Efficiency	Aus 73% / Eu 82%
Emissions	0.4g
Wood usage	2kg/hr
Weight	75 kg
H/W/D	662/728/547
Ember retention	6 hr

For installation options and methods see out Insert Installation Guide

Hearth	
Width	Depth
770	600



euro fireplaces

eurofireplaces.com.au
1300 733 705 info@eurofireplaces.com.au

BRUNNER

THORMA

HAAS + SOHN