

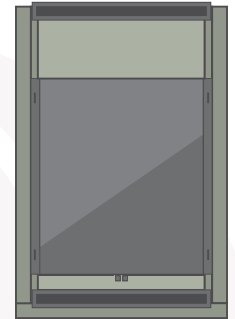
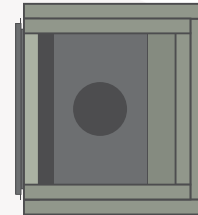


## ■ RIBE \$2,490

Tested to AS/NZS 4012,4013:2014



- Australia's Lowest emission hardwood tested wood heater
- Panoramic frameless door
- High efficiency
- Ultra low emissions of 0.4
- Many inbuilt possibilities
- Zero clearance hot box when built with Skamol



### HEAT RETENTION

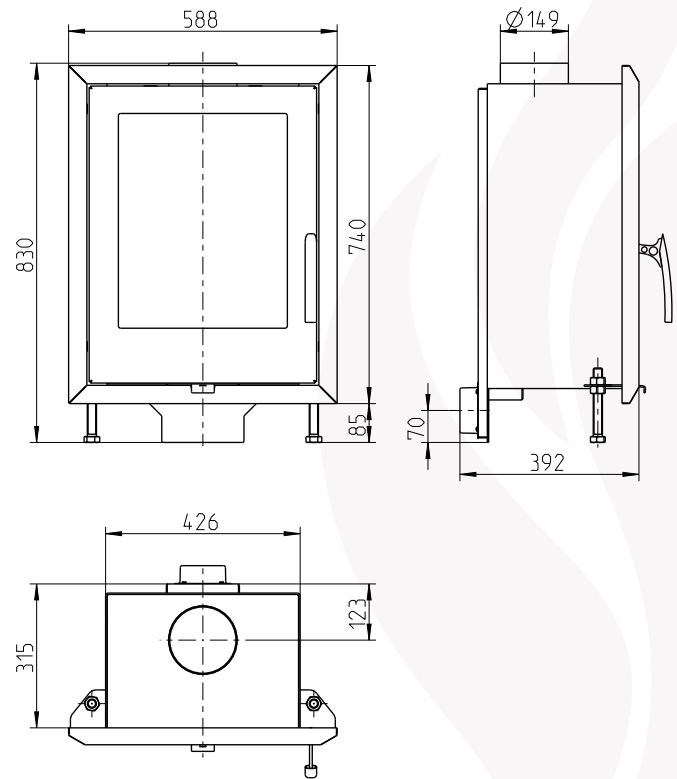
Building in with brick will result in excellent heat retention, building in with Super Isol will result in excellent convection.

Coal retention with correct operating procedures: around 6 hours +  
Installed with heat bank 7 hours +

### CLEARANCES

A Super Isol installation provides a zero clearance box, please refer to our inbuilt guide for further information. Front hearth needs to be 300mm

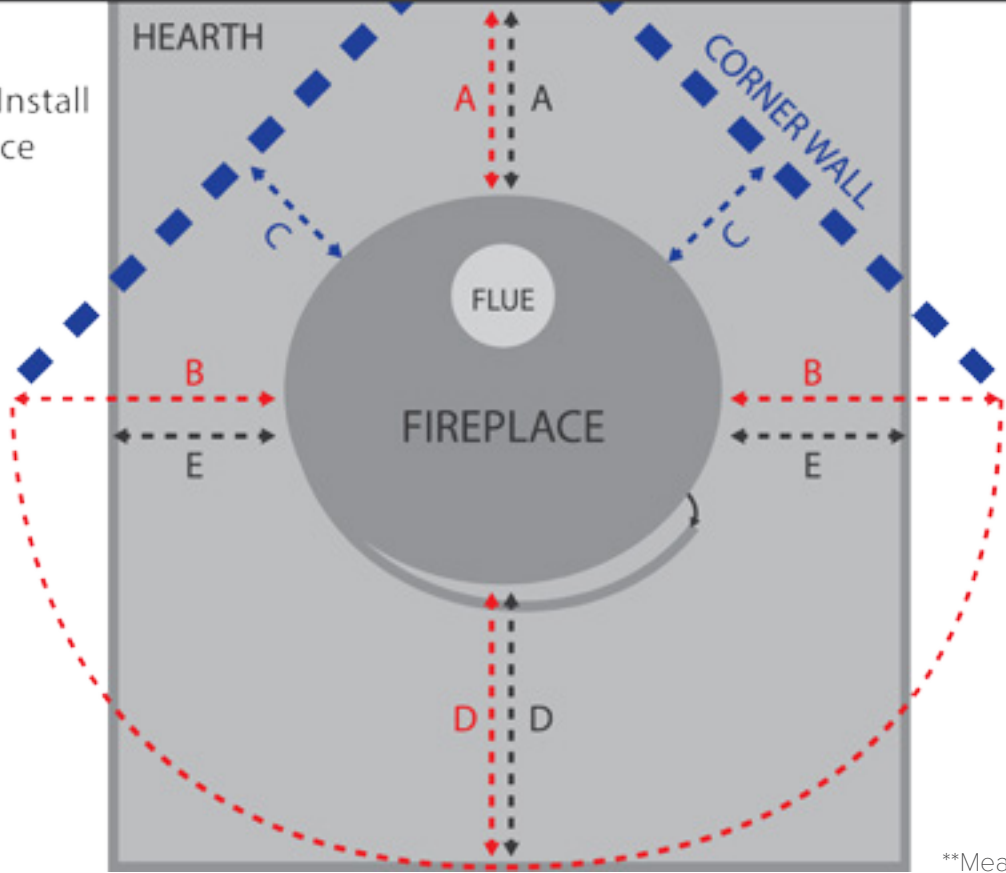
Firebox Type	Falun
Dimensions (mm)	H835 W610 D390
Weight	75kg
Output Range	4 - 12kW
Heating capacity	170 sm to 240 sm
Efficiency AUS/EU	73% / 82%
Wood Consumption	1.8kg/hr
Finish	Steel
Colours	Black
Flue Size/Outlet/Length	145mm/Top/4m
External Air Supply	Yes, 100mm
Log Size	Approximately 330mm
Clearance - Back/Side/Corner Type	n/a
Heat Bank	Depends on Construction
Emissions	0.4g/kg
Warranty	2 Years Manufacturers +2 Year Euro Fireplaces





WALL

- Hearth
- Corner Install
- Clearance



\*\*Measurements in mm

## Clearance Guide

Clearances for Euro Fireplaces are tested to the Australian standard by HRL and ASFT, and refer to the minimum distance the heater must be installed to a combustable wall, the hearth requirements, as well as the minimum distance allowable to combustable material, such as furniture or other items that can be damaged by high levels of heat.

To find the clearances of a heater refer to the small table on each page. The numbers correspond to the clearances shown on the diagram to the left. Please use this as a reference for all installations of Euro Fireplaces heaters.

A	B	C	D	E
#	#	#	#	#

## Hearth

Our heaters must be installed on a non-combustible base or hearth. The most common hearths for use on combustable surfaces such as wood or carpeted floors are tiled, stone or polished concrete. Tile and stone hearths are made to standard sizing while polished concrete can be cut to custom shapes and sizes.

Our reinforced glass hearths can be used on non-combustible surfaces such as concrete or tiles, to protect the floor, while allowing the heater to be presented without compromising the look of your floor surface.

The glass hearth is made from 8mm toughened glass and can withstand heat and shock caused by wood or tools falling on to it. Euro Fireplaces glass hearths are cut to fit the clearances of any of our heaters and come in two sizes:

### 1000x1200 'D' Shape

Suited for wall installations

### 1100 diameter circle

Suited for corner installations

## Clearance Table

Heater	A	B	C	D	E
Milano	425*	540	475	300	200
Kiruna	250	300	250	300	200
Falun	250	300	250	300	200
Weisbaden	250	1200	n/a	300	200
Cremona	250	300	250	300	200
Falun Ceramic	250	300	250	300	200
Landshut	250	300	250	300	200
Andorra	250	550	170	300	200
Andorra Exc.	250	550	170	300	200
Cadiz Serp.	250	550	170	300	200
Atika	250	550	170	300	200
Olbia	140	350	210	300	200
Uppsala	325	600	325	450	100
Buller	250	500	270	600	110
Buller Insert	For insert heaters please contact your local Euro Fireplaces dealer				
Ribe Insert	For insert heaters please contact your local Euro Fireplaces dealer				
Pallazza	250	300	170	150	200

\*Including back flue junction