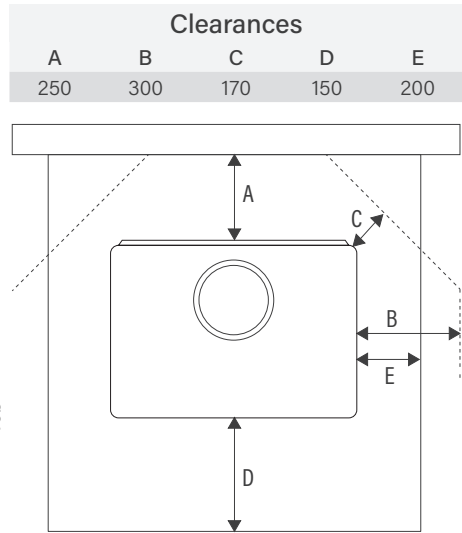
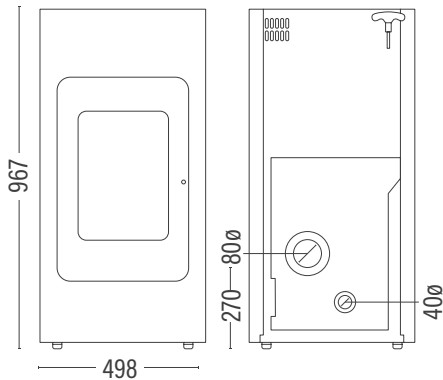




\$4,790 ■  
**BOTANY**  
pellet heater

Botany has been developed by Haas and Sohn for the Australian market. The optional latest in WIFI capability allows the customer to control the heater via their smart phone from afar. Available in Australia in earth red or black with clean lines, the fire chamber has a unique Haas & Sohn woodfire appearance, and represents high quality European manufacture at a sustainable price.

Heating capacity	190sqm
Efficiency	Eu 90%
Flue Outlet	80mm Outlet --> 4" Flue
Fresh Air Intake	57mm
Emissions	0.2g
Weight	91 kg
H/W/D	967/498/525



euro fireplaces

eurofireplaces.com.au  
1300 733 705 info@eurofireplaces.com.au

BRUNNER

THORMA

HAAS + SOHN